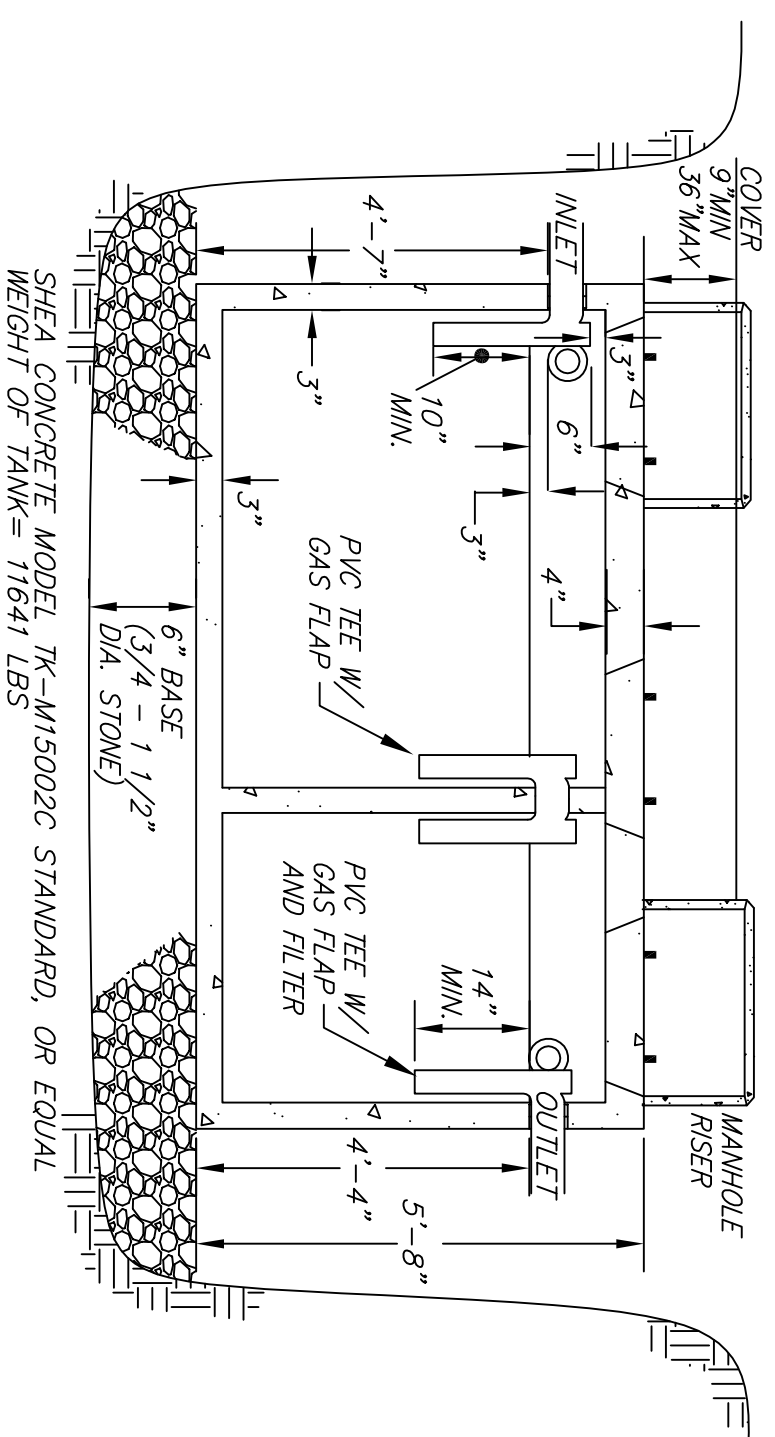
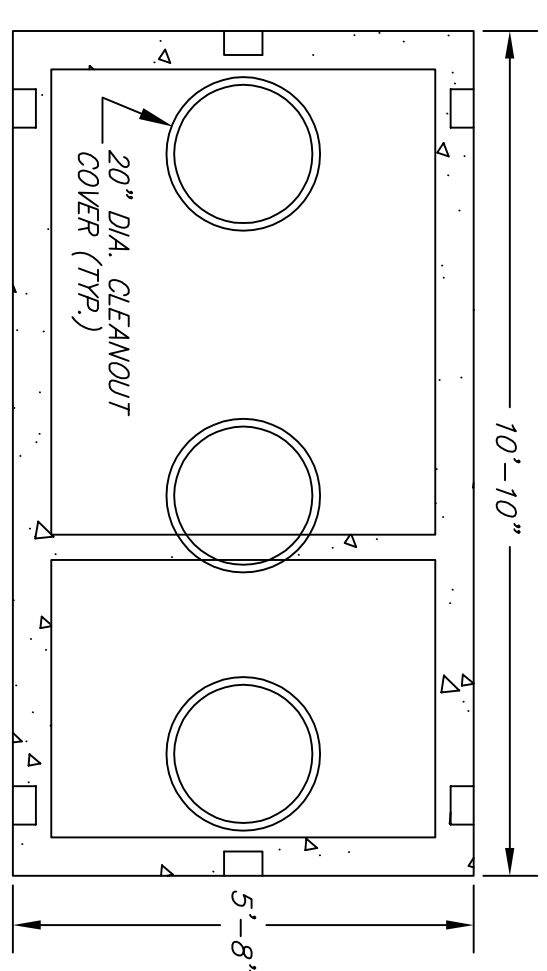


1) FIRST COMPARTMENT:
2) SECOND COMPARTMENT:
3) PROVIDER:
4) MONOLITHIC SEPTIC TANK

SEPTIC TANK REQUIREMENTS

650 GALLONS
N/A
N/A



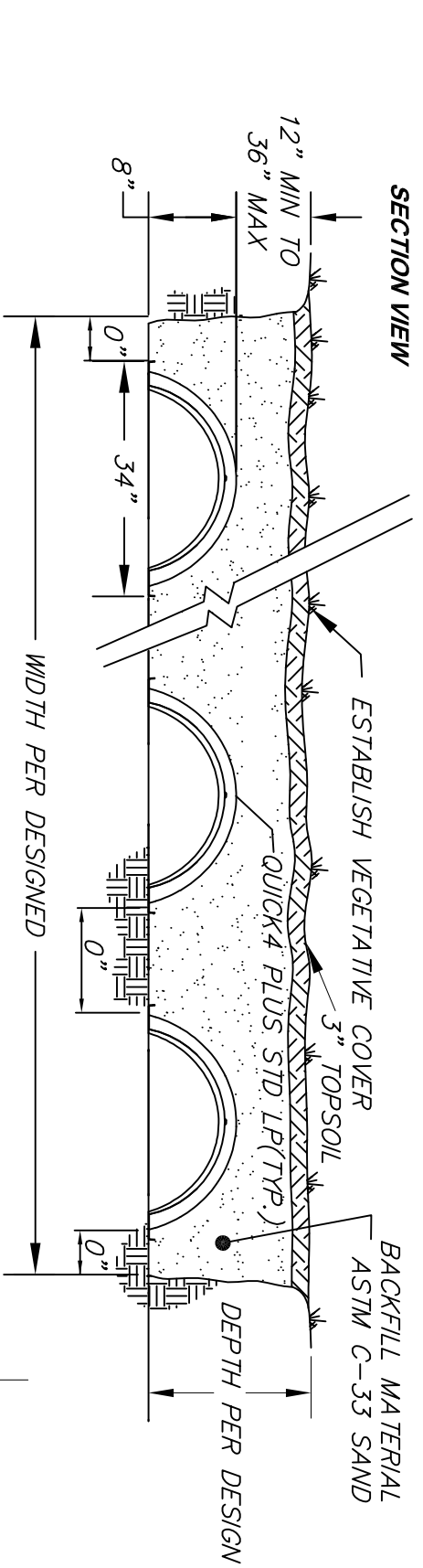
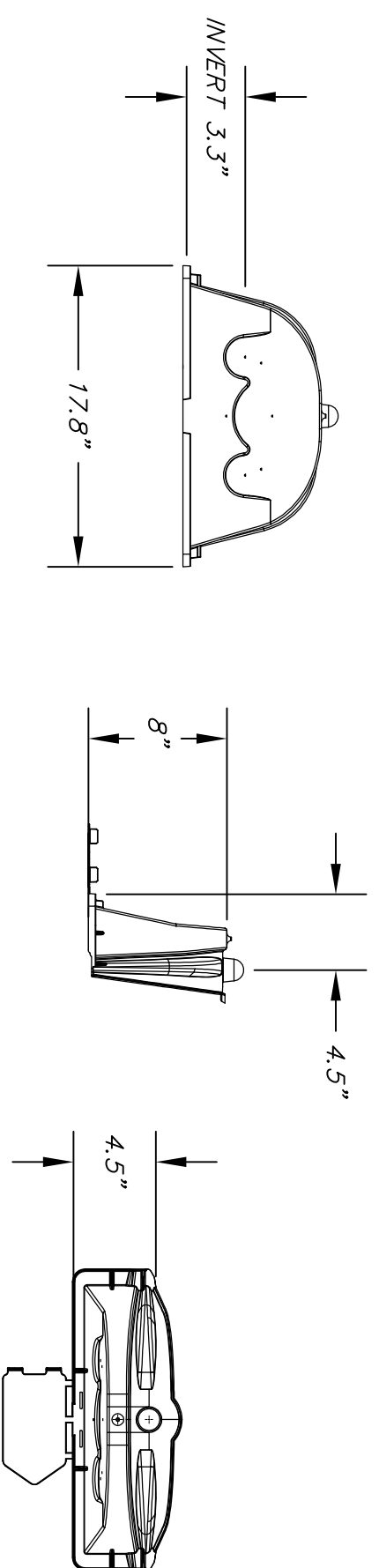
NOTES:

- 1) TANK SHALL BE WATER TIGHT THROUGH MANUFACTURER'S SPECIFICATIONS AND WARRANTY.
- 2) TANK SHALL BE SET LEVEL AND TRUE TO GRADE ON A LEVEL BASE AND SHALL BE PROTECTED FROM DAMAGE BY OVERLAPPING.
- 3) TANK SHALL BE EMBOSSED WITH A SEAL STATING THAT ASTM STANDARD C 1227-93 HAS BEEN MET.
- 4) THE OUTLET TEE SHALL BE EQUIPPED WITH A GAS BAFFLE AND AN EFFLUENT FILTER (ZABEL A-1800 OR EQUAL).
- 5) THE INLET & OUTLET COVERS SHALL HAVE A RISER TO FINISH GRADE.
- 6) SECURE COVERS TO PREVENT UNAUTHORIZED ACCESS.

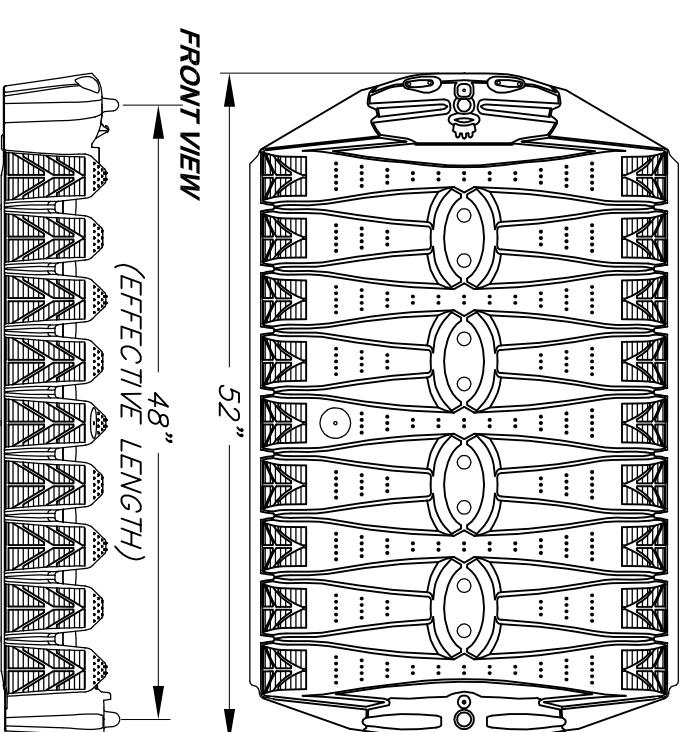
1500 GALLON 2-COMPARTMENT MONOLITHIC SEPTIC TANK

310 CMR 15.223 - 15.228 (NOT TO SCALE)

QUICK4 STANDARD MULTIPORT END CAP



TOP VIEW



- 1) BOTTOM OF EXCAVATION SHALL BE LEVEL AND SCARIFIED PRIOR TO CHAMBERS.
- 2) SAND OR EASY FERRIBLE AND FREE OF LARGE STONES.
- 3) INSTALL INSPECTION PORT ON FIRST UNIT IN EACH LINE.
- 4) MANHOLE COVER SHALL BE CONSIDERED SYSTEM WITH HEAVY EQUIPMENT.
- 5) ENDS SHALL BE CONSIDERED SYSTEM WITH HEAVY EQUIPMENT.

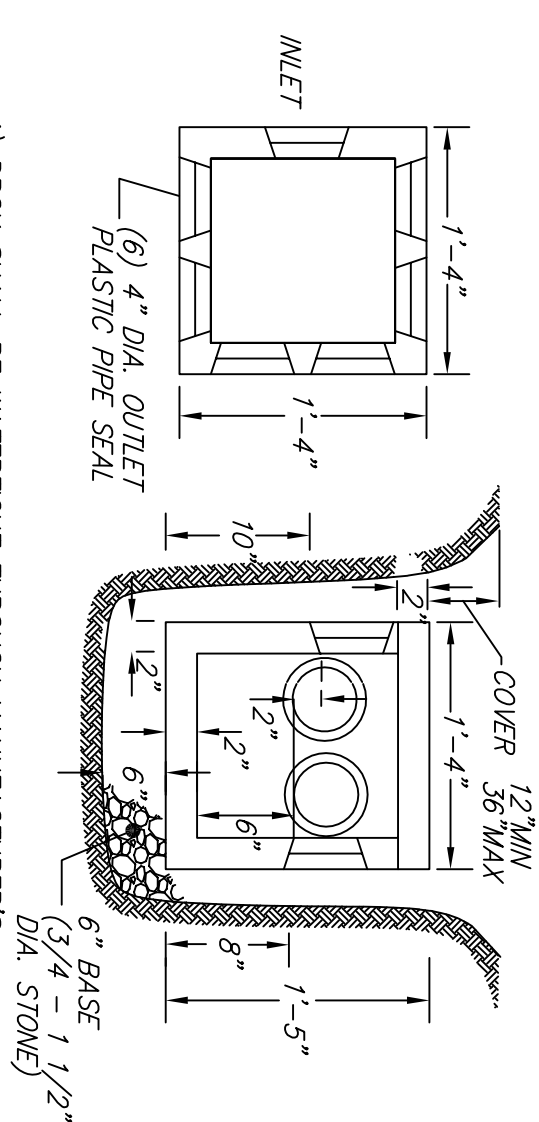
REQUIRED # OF UNITS: 32 (4 ROWS OF VARIOUS # OF UNITS)

MANUFACTURER:

INFILTRATOR SYSTEMS INC.
6 BUSINESS PARK ROAD - PO BOX 788
OLD SAYBROOK, CT 06445
1-866-4QUICK4 (478-4254)

INFILTRATOR QUICK 4 PLUS STANDARD LP CHAMBER DETAIL:

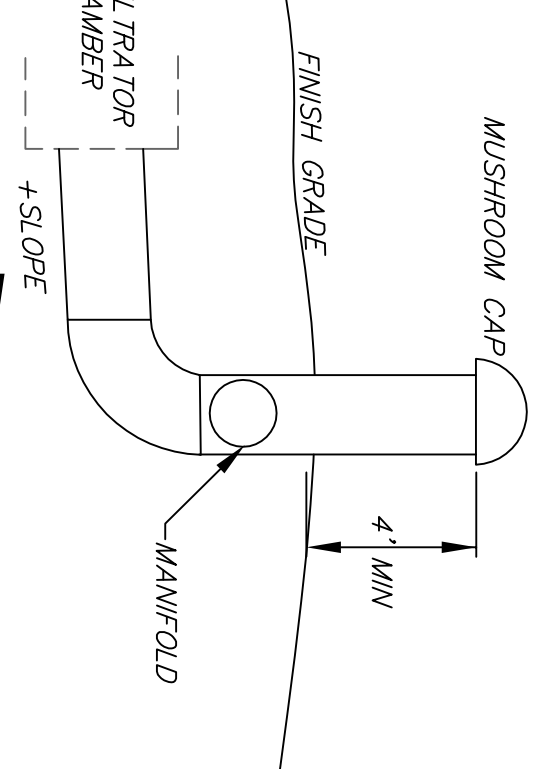
310 CMR 15.252



- 1) DBOX SHALL BE WATER TIGHT THROUGH MANUFACTURER'S SPECIFICATIONS AND WARRANTY.
- 2) SPEED-LEVELERS SHALL BE INSTALLED IN OUTLET PIPES.
- 3) OUTLET PIPES SHALL BE LEVEL FOR THE FIRST TWO FEET (MIN.).
- 4) OUTLET PIPES SHALL BE GEMVENT TO DBOX USING HYDRAULIC CEMENT.

DISTRIBUTION BOX (6-OUTLET)

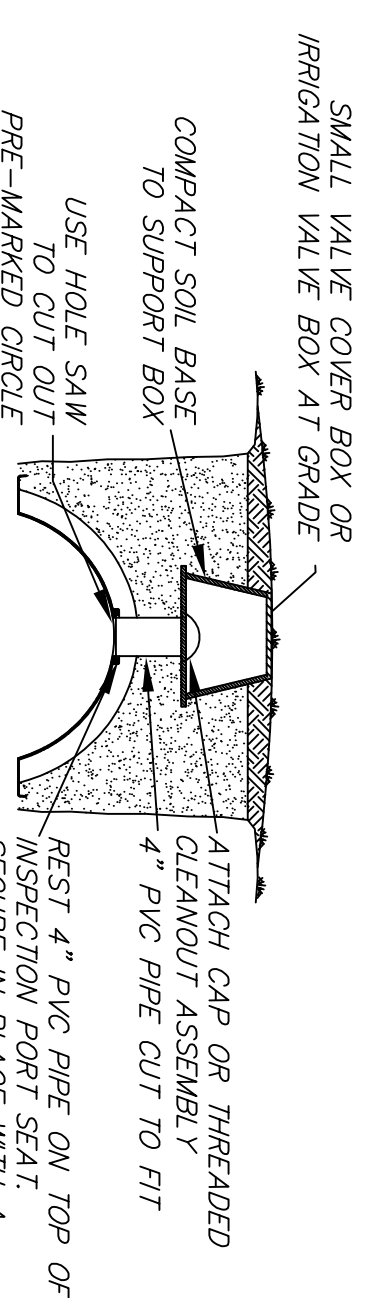
310 CMR 15.232 (NOT TO SCALE)



- 1) VENT SHALL BE SAME SIZE AS LEACH LINES.
- 2) VENT PIPE SHALL HAVE A CHARCOAL FILTER.
- 3) VENT SHALL BE SCH-40 PVC PIPE.
- 4) OWNER SHALL BE CONSULTED REGARDING PLACEMENT OF VENT.

VENT

310 CMR 15.241
(NOT TO SCALE)



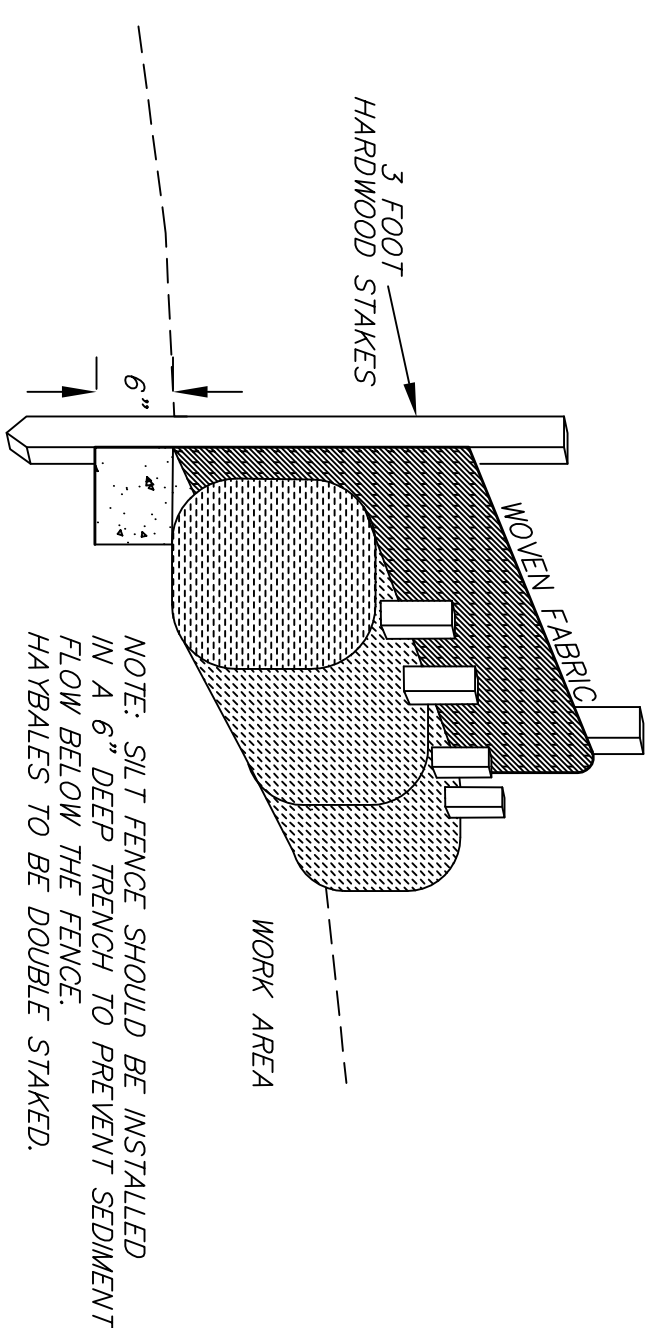
- 1) INSTALL ONE INSPECTION PORT PER LINE (4 TOTAL)

INSPECTION PORT

(NOT TO SCALE)

NOTES:

1. UNLESS OTHERWISE SPECIFIED, SYSTEM CONSTRUCTION SHALL CONFORM TO TITLE 5 OF THE STATE ENVIRONMENTAL CODE OR LOCAL BOARD OF HEALTH REGULATIONS, WHICHEVER IS MORE STRINGENT.
2. ALL WORK ON LINES, GRADES AND DETAILS SHALL BE DONE BY A LICENSED DISPOSAL WORKS INSTALLER.
3. ANY INTENDED REVISION OF PROPOSED ELEVATIONS AND/OR HORIZONTAL LOCATIONS AS SHOWN SHALL BE APPROVED BY THE ENGINEER AND HEALTH AGENT PRIOR TO IMPLEMENTATION.
4. PROPERTY LINES SHOWN ARE APPROXIMATE. REFERENCE PLAN IS 28902A.
5. THE CONTRACTOR SHALL NOTIFY THE PROPER INSPECTORS AND ALLOW SUCH TIME AS REQUIRED FOR INSPECTIONS.
6. SAFETY MEASURES, DAY-TO-DAY CONTROL OF WORK AND CONSTRUCTION METHODS SHALL BE THE RESPONSIBILITY OF THE CONTRACTOR.
7. THE ISSUANCE OF A PERMIT TO CONSTRUCT OR A CERTIFICATE OF COMPLIANCE SHALL NOT BE CONSIDERED AS A GUARANTEE THAT THE DISPOSAL SYSTEM WILL FUNCTION SATISFACTORILY.
8. THE CONTRACTOR SHALL NOTIFY "DIG-SAFE" AT 1-800-322-4844 AT LEAST 72 HOURS PRIOR TO COMMENCEMENT OF CONSTRUCTION.
9. ALL PIPE JOINTS SHALL BE MADE WATER TIGHT PER 222(3) & (4).
10. THE BUILDING SEWER SHALL BE LAID ON A COMPACTED FIRM BASE PER 222(5). THE BUILDING SEWER SHALL BE LAID ON A CONTINUOUS GRADE IN A STRAIGHT LINE PER 222(7).
11. A 24" CHILDPROOF RISER/MANHOLE WITHIN 6' OF FINAL GRADE SHALL BE PLACED OVER THE OUTLET END OF THE SEPTIC TANK.
12. IF PLACED IN FILL PROPER COMPACTION IS REQUIRED UNDER COMPONENTS PER 221(2). A SIX INCH CRUSHED STONE BASE IS TO BE PLACED UNDER COMPONENTS.
13. SEPTIC TANK AND DISTRIBUTION BOX SHALL BE WATER TIGHT PER 221(1).
14. SEPTIC TANK AND DISTRIBUTION BOX SHALL HAVE A MINIMUM 9" AND MAXIMUM 36" OF COVER PER 221(7) AND 228(1).
15. ALL OUTLETS FROM THE DISTRIBUTION BOX ARE TO BE CONSTRUCTED AT THE SAME ELEVATION PER 232(3)(B), AND LAID LEVEL FOR THE FIRST TWO FEET PER 232(3)(B).
16. FILL MATERIAL SHALL BE COMPRISED OF CLEAN, GRANULAR SAND, FREE FROM ORGANIC MATTER AND DELETERIOUS SUBSTANCES PER 255(5), MIXTURES AND LAYERS OF DIFFERENT CLASSES OF SOILS SHALL NOT BE USED.
17. PROVIDE MINIMUM 0.02FT/FT GRADE SLOPE OVER LEACH SYSTEM PER 240(10).
18. THERE SHALL BE A 3" SPACE BETWEEN TOPS OF TEES AND INSIDE OF TANK PER 227(4). TEES MUST EXTEND 6" ABOVE FLOWLINE PER 227(1). INLET TEE MUST EXTEND 10" BELOW FLOWLINE PER 227(6). OUTLET TEE MUST EXTEND 14" BELOW FLOWLINE PER 227(6). INSTALL ZABEL OUTLET FILTER OR EQUIVALENT ON OUTLET TEE. ANNUAL MAINTENANCE OF THE FILTER IS REQUIRED. TEES MUST EXTEND TO CENTER OF ACCESS PORTS.
19. LEACH SYSTEM SHALL BE BUILT WITH INFILTRATOR CHAMBERS MANUFACTURED BY INFILTRATOR SYSTEMS, INC. APPROVED FOR GENERAL USE UNDER TRANSMITTAL NUMBER X228042 BY THE MASS. DEPARTMENT OF ENVIRONMENTAL PROTECTION. ALL INSTALLATION SHALL COMPLY WITH MANUFACTURER'S REQUIREMENTS. AN INSPECTION PORT SHALL BE PROVIDED PER MANUFACTURER'S AND BOARD OF HEALTH REQUIREMENTS.
20. PROVIDE 6 INCH CRUSHED STONE BASE BENEATH SEPTIC TANK AND DISTRIBUTION BOX.
21. MAGNETIC MARKING TAPE IS TO BE PROVIDED OVER SYSTEM COMPONENTS.
22. THIS PLAN IS DESIGNED IN CONFORMANCE WITH 310CMR 15.00 (TITLE 5).
23. SYSTEM APPEARS TO LIE WITHIN A NITROGEN SENSITIVE AREA (ZONE A) AS DESIGNATED BY 310CMR 15.215.
24. THERE ARE TRIBUTARIES TO SURFACE WATER SUPPLIES (FILLINGS POND) WITHIN 400', NO PUBLIC WELLS WITHIN 400', AND NO PRIVATE DOMESTIC WELLS WITHIN 125' OF SEPTIC SYSTEM BASED ON VISUAL INSPECTION.
25. THE EXISTING DWELLING WAS ASSESSED AS THREE BEDROOMS. THE DESIGN IS FOR THREE BEDROOMS.



NOTE: SILT FENCE SHOULD BE INSTALLED IN A 6" DEEP TRENCH TO PREVENT SEDIMENT FLOW BELOW THE FENCE. HAYBALES TO BE DOUBLE STAKED.

HAYBALE/SILT FENCE DETAIL

(NOT TO SCALE)

SUBSURFACE
SEWAGE
DISPOSAL
SYSTEM UPGRADE

45 LAKEVIEW AVENUE

LYNNFIELD MA

REGISTRY INFORMATION:

DEED:

DOC. NO.: 598183
CERT. NO.: 92133

ASSESSORS INFORMATION:

MAP: 35
BLOCK: ---
LOT: 1661

PREPARED FOR:

DEFRITAS FAMILY TRUST
21 LAKEVIEW AVE
LYNNFIELD MA

SCANLAN
ENGINEERING LLC
PO BOX 906-DEERINGTON, MA 01833

PHONE: (978) 372-3440
FAX: (978) 891-3888
EMAIL: info@scanlanengineering.com
WEB: www.scanlanengineering.com

| # | BY | DATE | REVISIONS TO PLANS |
|---|----|------|--------------------|
| | | | |
| | | | |
| | | | |
| | | | |
| | | | |

DATE: SEPTEMBER 28, 2020
DESIGN BY: JBS
DRAWN BY: JBS

DETAILS
& NOTES

SHEET 2 OF 2 SCALE: 1" = 10'

PROJECT #