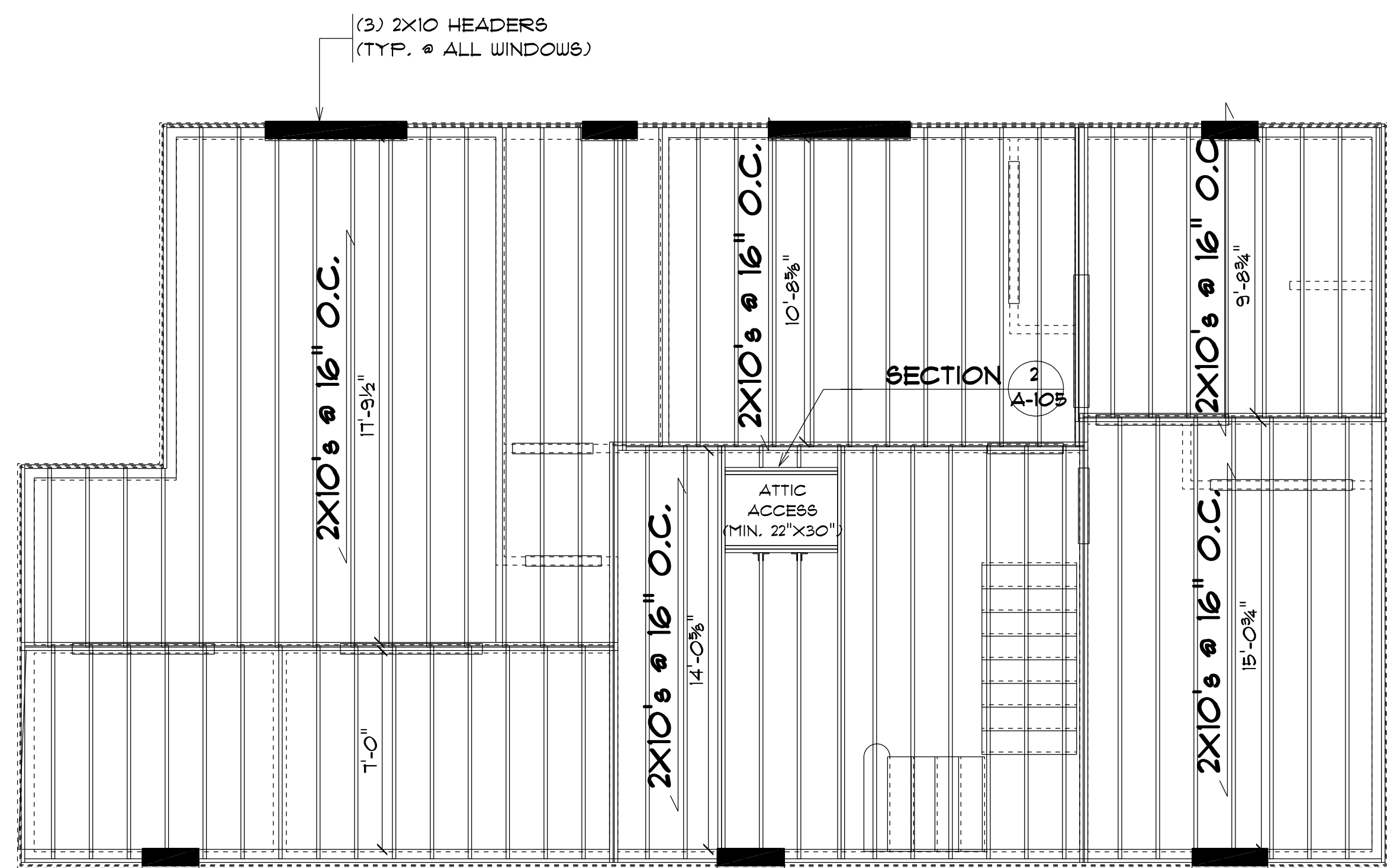


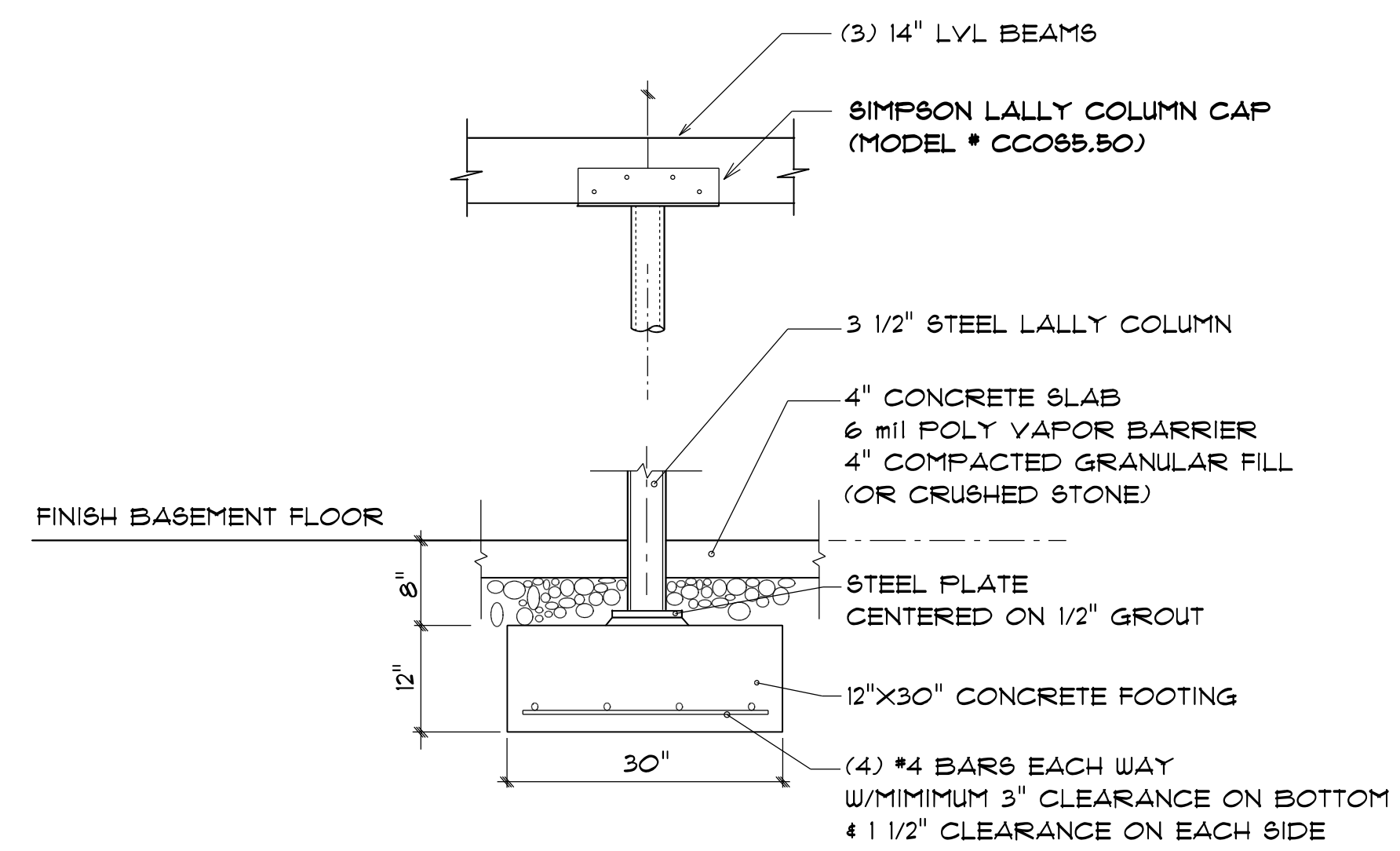
SECOND FLOOR FRAMING

SCALE: 1/4" = 1'-0"

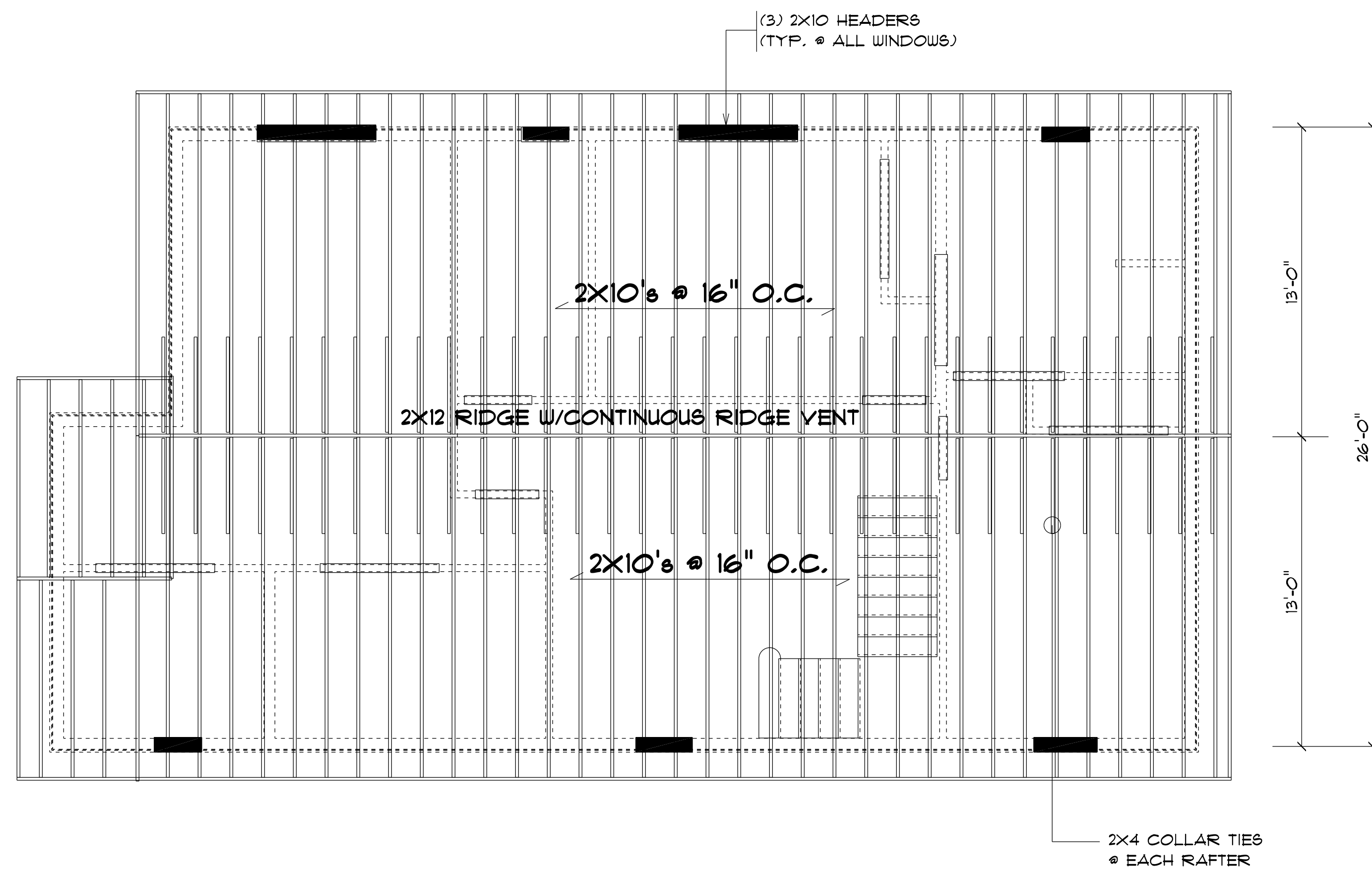


SECOND FLOOR CEILING FRAMING PLAN

SCALE: 1/4" = 1'-0"

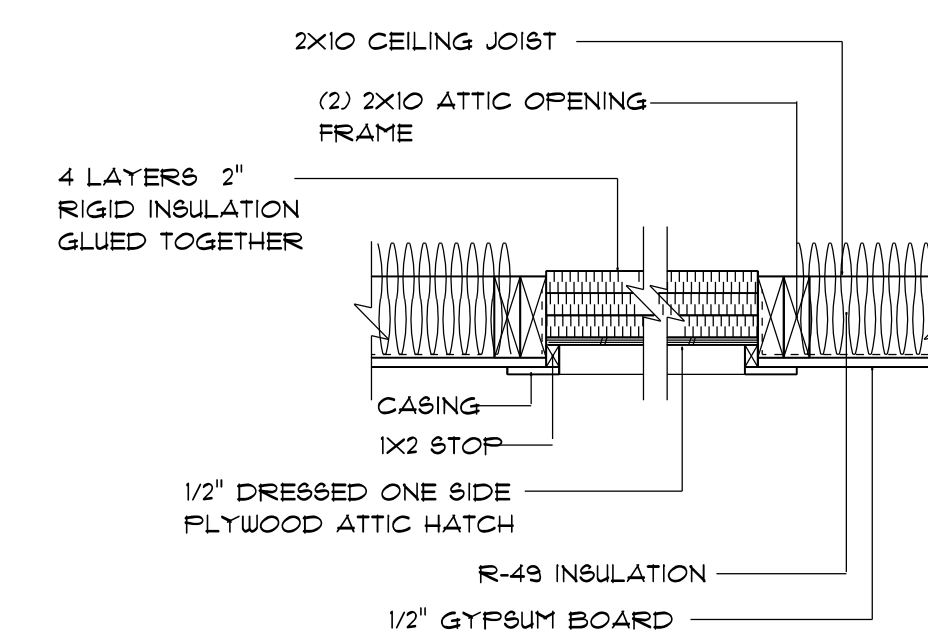


SECTION 1 - ISOLATED FOOTING PAD W/LALLY COLUMN
N.T.S.



ROOF FRAMING PLAN

SCALE: 1/4" = 1'-0"



SECTION 2 - ATTIC ACCESS DETAIL
N.T.S.

NOTE: MINIMUM R.O. 22" X 30", EXACT R.O. DIMENSIONS AS PER MANUFACTURER'S SPECIFICATIONS

DATE: FEBRUARY 26, 2019	SCALE: AS SHOWN	SINGLE FAMILY DWELLING 45 LAKEVIEW AVENUE LYNNFIELD, MA	VISION DESIGN & CONSTRUCTION, INC. 14 WESTERN AVENUE WAKEFIELD, MA (781) 844-8645
REVISED:	DRAWN BY: PFM		
FRAMING PLANS		A - 105	